

# Codian MCU

MSE 8420

Getting started

---

**TANDBERG**

# Codian MCU

**MSE 8420**

Getting started

---

Copyright © Codian 2008. All rights reserved. This Getting Started Guide may not be copied, photocopied, translated, reproduced, or converted into any electronic or machine-readable form in whole or in part without prior written approval of Codian Limited.

Codian Limited reserves the right to revise this documentation and to make changes in content from time to time without obligation on the part of Codian Limited to provide notification of such revision or change.

Codian Limited provides this documentation without warranty, term, or condition of any kind, either implied or expressed, including, but not limited to, the implied warranties, terms or conditions of merchantability, satisfactory quality, and fitness for a particular purpose. Codian Limited may make improvements or changes to the product(s) and/or the program(s) described in this documentation at any time.

All other product and company names herein may be trademarks of their respective owners.

61-0007-03 rev 01

---

TANDBERG

Philip Pedersens vei 20

1366 Lysaker

Norway

Telephone: +47 67 125 125

Telefax: +47 67 125 234

Video: +47 67 117 777

E-mail: [tandberg@tandberg.com](mailto:tandberg@tandberg.com)

[www.tandberg.com](http://www.tandberg.com)

---

---

# Table of contents

- General information ..... 1
  - About the MSE 8420 Media blade ..... 1
  - Port and LED location ..... 1
- LED behavior ..... 2
- Installing the Media blade ..... 4
  - Step one: Install the Media blade into the MSE 8000 chassis ..... 4
  - Step two: Connect to Ethernet Port A ..... 6
- Initial configuration ..... 7
  - Step one: Configure Ethernet Port A settings ..... 7
  - Step two: Assign an IP address to the Media blade ..... 7
- Configuring the Media blade ..... 8
  - Step one: Log in to the Media blade ..... 8
  - Step two: Using an H.323 gatekeeper or SIP registrar (optional) ..... 8
  - Step three: Add endpoints (optional) ..... 9
- Using the Media blade ..... 10
  - Creating conferences ..... 10
  - Calling participants in to a conference ..... 11
  - Calling in to a conference ..... 11
  - Streaming conferences ..... 12
- Instructing conference participants ..... 13
- Checking for updates ..... 13
- Troubleshooting and technical support information ..... 14
  - Using the event log to help solve a problem ..... 14
  - Getting more help ..... 14



# General information

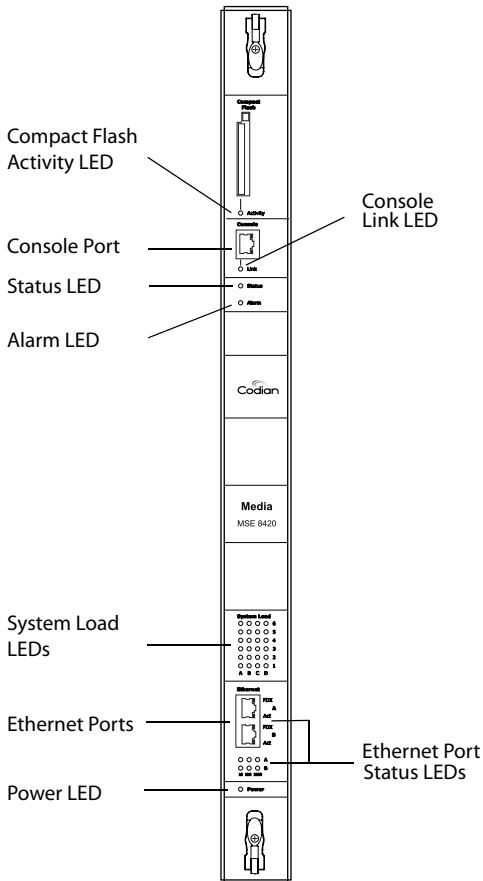
## About the MSE 8420 Media blade

The MSE 8420 Media blade is a technologically advanced Multipoint Control Unit that fits into an MSE 8000 chassis. It is designed to provide high quality voice and video conferencing.

## Port and LED location

Figure 1 shows the position of ports and LEDs on the Media blade.

Figure 1: Media blade front panel



---

## LED behavior

Table 1 describes the behavior of the LEDs.

Table 1: Media blade LED behavior

LED	Color	Indicates
Compact Flash Activity	Flashing green	One of: <ul style="list-style-type: none"><li>▶ the Media blade is booting</li><li>▶ a configuration change has been made</li><li>▶ the configuration is being transferred by FTP</li></ul>
Console Link	Green	A PC is connected to the console port
Status	Green	The Media blade is operating normally
Alarm	Red	The Media blade is booting or has developed a fault, for example: <ul style="list-style-type: none"><li>▶ temperature is outside normal limits</li><li>▶ battery failure of the internal clock</li></ul> Refer to the web interface for more information about the problem (go to <b>Status &gt; Health</b> )
System Load	Green	The Media blade is processing conference data. The LEDs represent the media processing load of the Media blade. The column numbered 1 represents audio load. The other columns represent video DSP load. Media processing load is also displayed in the web interface: go to <b>Status &gt; General</b>

Table 1: Media blade LED behavior (continued)

<b>LED</b>	<b>Color</b>	<b>Indicates</b>
Ethernet Port Status, for each Ethernet port :		
FDX	Green	The link has been negotiated as a full-duplex link
Act	Green	Packets are being transmitted on this port
Link	Green	The speed of the link from this port, which is either 10, 100, or 1000 Mbps
Power	Blue	The Media blade is receiving power from the MSE 8000 chassis



---

## Installing the Media blade



**Important:** Before installing the Media blade into the MSE 8000, you must read the safety information for the MSE 8000 chassis at: <http://www.codian.com/safety.htm>



Although blades are hot-swappable parts, you must only remove one blade at any time. Remove the power from the MSE 8000, if you need to remove more than one blade at a time.



Before hot-swapping a blade, shut down the blade using the web interface. Do not shut down a blade during a software upgrade or if the blade is processing (for example if a conference is taking place on a Media blade).

For information about powering the MSE 8000, refer to the Getting Started Guide that accompanied the chassis.

### Step one: Install the Media blade into the MSE 8000 chassis



You must install either a blade or a blanking blade in each of the ten positions in the chassis.



The Supervisor blade must be installed into slot 1 of the MSE 8000 chassis.

- 1 Remove the blade or blanking blade from the slot into which you are going to install the Media blade:
  - i Using a No.1 Phillips screwdriver, loosen the screws in the retaining latches with an anti-clockwise quarter turn.
  - ii Open both retaining latches on the front of the blade or blanking blade. When open, a retaining latch is at a 90° angle perpendicular to the front of the blade.
  - iii Slide out the blade or blanking blade.
- 2 Open both retaining latches on the front of the Media blade. When open, a retaining latch is at a 90° angle perpendicular to the front of the blade.
- 3 Slide the Media blade into the blade slot (as shown in Figure 2) until it stops.
- 4 Simultaneously close both retaining latches on the blade (thereby engaging the connectors at the rear of the blade) to secure in the chassis as shown in Figure 3.

- 5 Using a No.1 Phillips screwdriver, tighten the screws in the retaining latches with a clockwise quarter turn.

Figure 2: Inserting a blade into the chassis

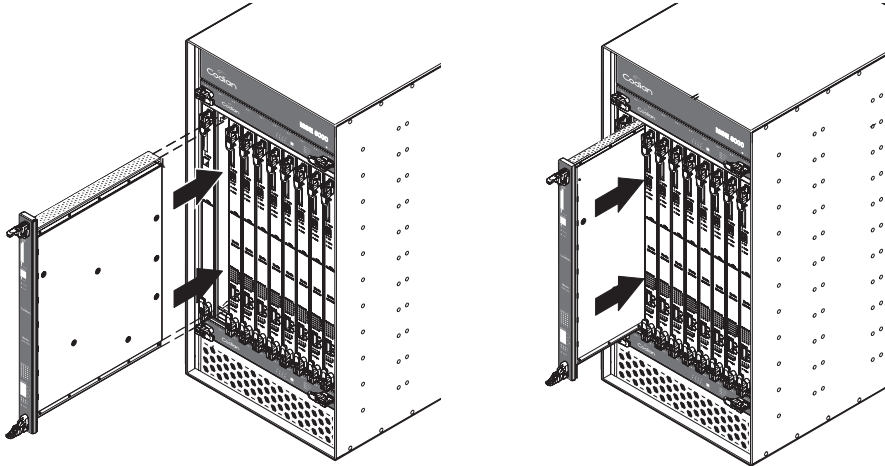
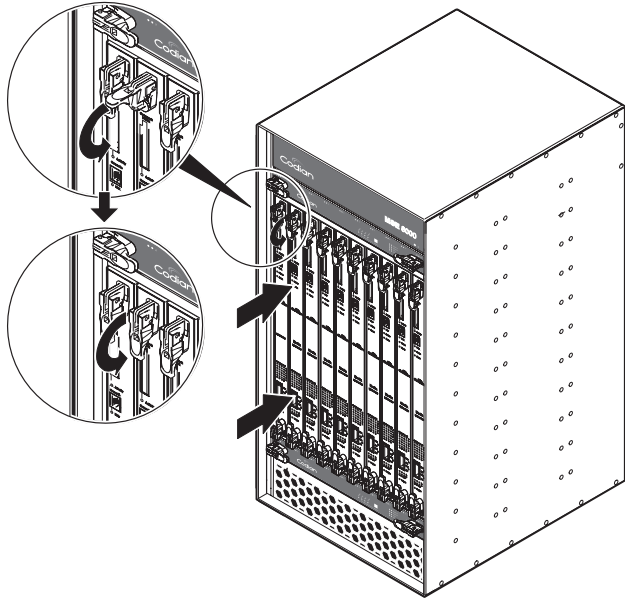


Figure 3: Closing the retaining latches on the front of a blade



---

## Step two: Connect to Ethernet Port A

Connect an Ethernet cable from Ethernet Port A to an Ethernet switch (rather than a hub, to minimize interference from other devices on the network). The Ethernet port is a 10/100/1000 Mbps auto-sensing connection.



Only connect to Ethernet Port B if you need to connect the Media blade to a second subnet.



Do not connect Ethernet Port A and Ethernet Port B to the same subnet.

## Initial configuration

### Step one: Configure Ethernet Port A settings

The default setting for the Media blade Ethernet ports is auto-sensing mode. If the switch ports to which you connect the Media blade are not also set to auto-sensing mode, then you need to configure the Media blade Ethernet ports to use the same speed and duplex mode.



Only connect to Ethernet Port B if you need to connect the Media blade to a second subnet.



Both ends of the Ethernet connection must be configured in the same way. For example, either configure both ends of the link to be auto-sensing or configure both ends to operate at the same speed and duplex.



To establish a 1000Mbps connection, both ends of the link must be configured as auto-sensing.

To configure Ethernet Port A, log in to the Supervisor's web interface and go to **Hardware > Blades**. For more information about configuring the port, refer to the online help accessible from the Supervisor's web interface.

### Step two: Assign an IP address to the Media blade

You can use the Supervisor's web interface to configure the IP addresses of all blades installed in the MSE 8000. Note that all blades are supplied with DHCP enabled. You can either keep this setting or assign static IP addresses to a blade from the Supervisor's web interface. To view or configure the IP address of the Media blade, log in to the Supervisor and go to **Hardware > Blades**. To access the web interface of the Media blade, go to **Hardware > Blades** and click the IP address of that blade.

---

# Configuring the Media blade

## Step one: Log in to the Media blade

All administration of the Media blade is performed via the web interface.

To log in to the web interface of the Media blade:

- 1 Log in to the Supervisor's web interface.
- 2 Go to **Hardware > Blades** and click the IP address of the Media blade.
- 3 Click **Log in**, and then click **Change log in** and enter the user name **admin** with no password.



Codian recommends that you change the admin account to use a password as soon as possible. To do that, go to **Users**, click the **admin** link, and provide the required user information.

## Step two: Using an H.323 gatekeeper or SIP registrar (optional)

If you have H.323 endpoints, using an H.323 gatekeeper can make it easier for participants to call in to a conference. You can configure the Media blade to use an external gatekeeper or its own built-in gatekeeper. For information about using the built-in gatekeeper, refer to the online help.

If you have SIP endpoints, using a SIP registrar can make it easier for participants to call in to a conference.

To configure the Media blade to use an H.323 gatekeeper:

- 1 In the web interface of the Media blade, go to **Settings > Gatekeeper**.
- 2 Enable **H.323 gatekeeper usage** and configure the settings you require, using the online help for further assistance.
- 3 Click **Apply changes**.

To configure the Media blade to use a SIP registrar:

- 1 In the web interface, go to **Settings > SIP**.
- 2 Configure the settings you require, using the online help for further assistance.
- 3 Click **Apply changes**.



Before you configure the Media blade to use, and register conferences to, a SIP registrar, you must set up the Media blade and its conferences on that SIP registrar.

## Step three: Add endpoints (optional)

One way to add participants to a conference that you create is to have the Media blade automatically call them when the conference starts. To do this, you configure their endpoints on the Media blade. When you set up a conference, you can choose the endpoints from the **Pre-configured participants** list. This is easier than entering each endpoint's details every time. Participants that are pre-configured for a conference will automatically be called by the Media blade to join that conference.

To define pre-configured endpoints:

- 1 In the web interface of the Media blade, go to **Endpoints**:
  - To add a H.323 endpoint, click **Add H.323**
  - To add a SIP endpoint, click **Add SIP**
  - To add a VNC screen, click **Add VNC**
- 2 Configure the endpoint settings you require, using the online help for further assistance.
- 3 Click **Add endpoint**.

---

# Using the Media blade

## Creating conferences

To create a conference:

- 1 In the web interface of the Media blade, go to **Conferences** and click **Add new conference**.
- 2 Type a **Name** for the conference, for example *SalesMeeting*.
- 3 Type an optional numeric identifier, for example **123**. This will be the telephone number that participants can use to join the conference when calling in to the Media blade via a gatekeeper or SIP registrar.



There are two types of conference participant: chairperson and guest. IDs and PINs allow participants to connect to conferences as the correct participant type. Chairperson participants use the Numeric ID and optionally, the PIN; guest participants use the Guest numeric ID and optionally, the Guest PIN. For more information, refer to the online help.

- 4 If you are using a gatekeeper, check **H.323 gatekeeper**; if you are using a SIP registrar, check **SIP registrar**.
- 5 Ensure the **Maximum duration** of the conference is sufficient (the default is one hour).
- 6 All other values can be left at their default settings. Refer to the online help for further information about the available settings.



Note that if you do not configure the conference to start immediately, it will become a scheduled conference and will be inactive until its start time.

- 7 Scroll down and click **Add conference**.

The conference you have created is now active (if you used the default immediate start time) and participants can join in one of two ways: either the Media blade can call out to specified endpoints or endpoints can dial in. Any endpoints that have been added to a conference, as pre-configured participants, will be called in to the conference by the Media blade.

## Calling participants in to a conference

To call participants in to a conference:

- 1 In the web interface of the Media blade, go to **Conferences** and click on the name of an active conference.
- 2 On the **Participants** tab, click **Add participant** to call out to an H.323 or SIP endpoint.
- 3 In the **Address** field:
  - where there is no H.323 gatekeeper or SIP registrar, type the IP address, host name, or SIP URI of an accessible endpoint on your network
  - if you are using an H.323 gatekeeper, enter the number registered with the gatekeeper for the required endpoint
  - if you are using a SIP registrar, enter the number registered with the SIP registrar for the required endpoint
- 4 Leave the other fields as their default values and click **Call endpoint**. The Media blade automatically connects to the endpoint.
- 5 If the endpoint is not configured to automatically answer calls, accept the call on the endpoint.

## Calling in to a conference

Participants can call in to conferences in either one of two ways:

- ▶ if you have given the conference a numeric identifier and you are using an H.323 gatekeeper or SIP registrar, tell participants to dial the numeric identifier from their endpoint to join that conference
- ▶ participants can dial the IP address of the Media blade to access the auto attendant of the Media blade. Participants will see a menu of available conferences on their video screen and will hear instructions



---

## Streaming conferences

Streaming is a way of viewing a conference in a standard web browser. The Media blade allows streaming of video and, if enabled for a conference, the streaming of data. You can also conduct a text ‘chat’ and add notes and drawings to the data stream.



Note that to use the ‘chat’ facility when streaming a conference, your Media blade needs the web conferencing feature key. For more information, refer to your reseller.

You can configure two streaming options on the Media blade that will be available for users to choose between when streaming conferences. For each streaming option, you must choose a media player (QuickTime, RealPlayer, or Windows Media Player) and a bit rate.

To configure streaming options:

- 1 In the web interface of the Media blade, go to **Settings > Streaming**.
- 2 Configure the streaming options you require, referring to the online help for more details about options.
- 3 Click **Apply changes**.

Streaming users will need to have installed one of the media players that you have chosen for the two streaming options. Streaming users might also need to install Java (from [www.java.com](http://www.java.com)).

To stream a conference:

- 1 In a web browser, go to the IP address of the Media blade (or if you are already logged in, go to **Home** and click **Streaming-only interface**).
- 2 Type in a **Sign-in name** (the name by which you will be identified if you ‘chat’) and the **Conference ID** (the numeric identifier of the conference).
- 3 Click **Stream this conference** and streaming will start.

## Instructing conference participants

You need to tell conference participants how to join conferences. You can also tell them how to use the Far-End Camera Controls (FECC) to navigate menus in the auto attendant and choose conference layouts. There is a document: *Getting Started: Accessing Conferences* available in the documentation area of the web site, which you can print out and give to conference participants.

## Checking for updates

It is a good idea to regularly check for updates to the main Media blade software image. This section describes how to upgrade the Media blade using the web. Note that you can also upgrade the Media blade using FTP; this can be more reliable if you are upgrading the device remotely. Upgrading your device via FTP is described in the release notes that are available alongside the software images in the support section of the web site.

To check for, and download, updates:

- 1 Log in to the Media blade web interface and go to **Status > General**.
- 2 Make a note of the software version that is currently installed.
- 3 Go to the support section of the web site and check if a more recent release is available for the Media blade.
- 4 If a more recent release is available, download it and save it locally.

To upgrade the Media blade:

- 1 Unzip the software release file that you downloaded.
- 2 In the Media blade web interface, go to **Settings > Upgrade**.
- 3 In the **Main software image** section, click **Browse** and locate the unzipped file.
- 4 Click **Upload software image**. The browser begins uploading the file to the Media blade, and a new browser window opens to indicate the progress of the upload.  
When finished, the browser window refreshes and indicates that the software upgrade is complete.
- 5 Go to **Settings > Shutdown** to shut down and restart the Media blade.



Note that shutting down the Media blade will disconnect all participants.

---

# Troubleshooting and technical support information

## Using the event log to help solve a problem

Unless you are experiencing a problem, all event logging sources should be set to the default, which is **Errors, warnings and information**. For more information about configuring the event log, refer to the online help accessible from the web interface.

You can use the event log to produce debugging information to assist technical support in solving your problem. However, we recommend that you only alter the setting of the event log under the guidance of technical support. In particular, you should not turn on event logging sources without good cause or advice from technical support.

## Getting more help

If the documentation does not answer your question or you have a problem with one of our products:

- 1 Refer to the Technical FAQ section of the web site. We keep the Technical FAQ section up to date with the latest information from our technical support team regarding the resolution of customer issues.
- 2 Contact your reseller. Our resellers have a wealth of experience with our products and this is often a quick way of solving a problem.
- 3 If your query remains unsolved, there is a web form in the support area of the web site that you can complete. Ensure that you provide all the details requested by the form to assist the technical support team in resolving your problem:
  - the serial number and product model number (for example: MSE8420) of the MSE blade
  - the software build number (to find this, in the web interface, go to **Status > General**)
  - where you purchased the MSE blade
  - your contact email address or telephone number

